



MAXIMA

SPIRAL MIXERS



USER MANUAL

GEBRUIKSHANDLEIDING

BEFORE USING THIS PRODUCT YOU SHOULD READ THIS USER MANUAL PROPERLY

ALVORENS U DIT PRODUCT IN GEBRUIK GAAT NEMEN DIENT U EERST AANDACHTIG DEZE
GEBRUIKSHANDLEIDING DOOR TE LEZEN





ENGLISH

Introduction

Thank you for purchasing this Maxima product. To ensure optimal and safe use, please read these instructions completely before attempting to install or use this product

All Maxima products are manufactured with great care and are CE certified. As a result, our products meet the legal requirements within the European Union with regard to safety, health and the environment. In addition, our products are tested and inspected prior to shipment to ensure product quality and safety

The Maxima mixer range can be used for mixing food products as various types of dough or product fillings. The machines are safe, stable and easy-to-use. You can use different speeds and tools to meet different mixing requirements and satisfactory results. All parts in contact with food are made of stainless steel or food grade plastics.

At Maxima we are very proud of our products and are completely committed to providing you with the best products and service possible. Your satisfaction is our number one priority.

We trust you will enjoy using this product and Thank You for choosing Maxima Kitchen Equipment as your supplier. We hope you will consider Maxima for your future purchases.

NEDERLANDS

Introductie

Bedankt voor het aanschaffen van dit Maxima product. Deze instructies dienen volledig gelezen te worden voordat u dit product gaat installeren of gebruiken. Op deze manier kunt u optimaal en veilig van dit product gebruik maken.

Alle Maxima producten worden met grote zorgvuldigheid gefabriceerd en zijn CE gecertificeerd. Onze producten voldoen hierdoor, onder andere op het gebied van veiligheid, gezondheid en milieu, aan de wettelijke eisen binnen de Europese Unie. Daarnaast worden onze producten voor verzending getest en geïnspecteerd om productkwaliteit en -veiligheid te kunnen waarborgen.

De Maxima mixers kunt u gebruiken voor het mengen en kneden van voedingsproducten, bijvoorbeeld voor deeg of productvullingen. De machines zijn veilig, stabiel en gemakkelijk te gebruiken. Door het gebruik van verschillende snelheden en toebehoren kunt u benodigde resultaten naar voldoening behalen. Alle delen in contact met voedsel zijn gemaakt van RVS of voedselveilige kunststoffen.

Bij Maxima zijn wij erg trots op onze producten en zijn volledig geëngageerd om u van de beste producten en service te voorzien. Uw tevredenheid is onze eerste prioriteit.

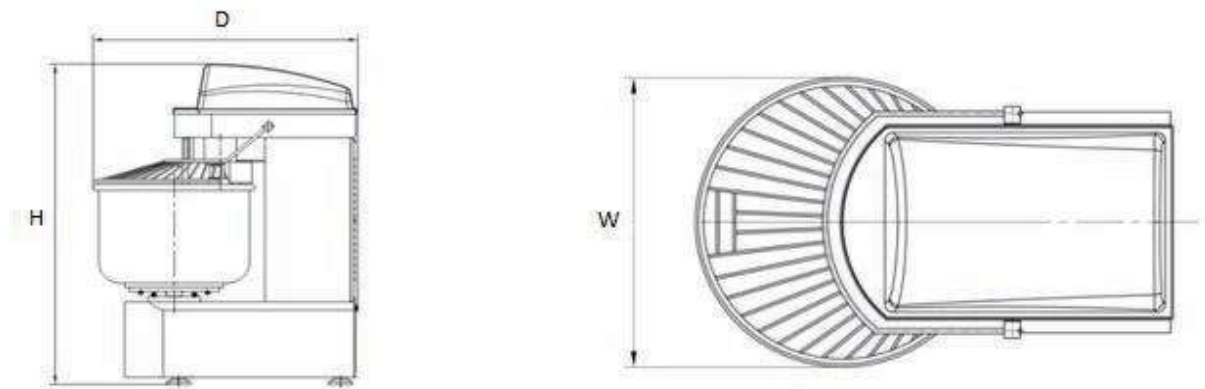
We vertrouwen erop dat u dit product met plezier zult gebruiken en bedanken u voor uw keuze in Maxima Kitchen Equipment als uw leverancier. We hopen dat u Maxima zult overwegen voor uw toekomstige aankopen.



ENGLISH

Specifications

MAXIMA SPIRAL MIXER									
PRODUCT CODE	MODEL	VOLTAGE (V)	POWER (W)	BOWL CAPACITY (L)	MAX. LOAD (KG)	MIXING SPEED (RPM)	BOWL SPEED (RPM)	DIMENSIONS (MM)	WEIGHT (KG)
09361001	MSM8	230V / 50Hz 1 Phase	450	8	4,5	159	21	H385 × W302 × D495	36
09361002									
09361003									
09361011									
09361012									
09361013									
09361008									
09361010	MSM10	230V / 50Hz 1 Phase	650	10	6	160	15	H630 × W315 × D600	58
09361020	MSM20	230V / 50Hz 1 Phase	1100	20	12	115 / 187	11 / 18	H853 × W427 × D675	100
09361030	MSM30	230V / 50Hz 1 Phase	1500	30	18	115 / 187	11 / 18	H886 × W432 × D725	103
09361050	MSM50	400V / 50Hz 3 Phase	1500 / 2400	50	30	110 / 220	11 / 22	H1040 × W532 × D800	137
09361060	MSM60	400V / 50Hz 3 Phase	1500 / 2400	60	37,5	120 / 240	12 / 24	H1142 × W536 × D881	184
09361080	MSM75	400V / 50Hz 3 Phase	1500 / 2400	75	45	108 / 216	11 / 22	H1142 × W580 × D920	204
09361100	MSM100	400V / 50Hz 3 Phase	2200 / 4500	100	60	126 / 252	17	H1315 × W650 × D1080	400
09361130	MSM130	400V / 50Hz 3 Phase	2200 / 4500	130	75	126 / 252	17	H1364 × W682 × D1112	405
09361150	MSM200	400V / 50Hz 3 Phase	4000 / 9000	200	112,5	112 / 225	16	H1405 × W905 × D1410	720



Safety Guidelines

This machine may only be used for the purpose for which it was intended and designed. The manufacturer is not liable for any damage caused by incorrect operation and improper use.

This machine may only be used for its intended purpose: Mixing or kneading dough and other food products.

Keep the machine and electrical plug away from water and any other liquids. In the unlikely event that the machine should fall into water, immediately pull the plug out of the socket and have the machine checked by a certified technician. Not following these instructions may cause life-threatening situations.

The device is to be used indoors only.

Do not move the appliance while operational.

Do not cover or place objects on top of the appliance when its operating.

Never try to open the casing of the machine yourself.

Do not insert any objects in the casing or openings of the machine.

Do not touch the power plug with wet or damp hands.

Do not use the machine after it has fallen or is damaged in any other way. Have it checked and repaired by a certified engineer.

WARNING! Do not try to repair the machine yourself. This may cause life-threatening situations.

Make sure the power cable does not come in contact with sharp or hot objects and keep it away from open fire. To pull the plug out of the socket, always pull on the plug and not on the cable.

Keep the power cable away from operating range. Do not lay over carpets or heat insulation and do not cover the cable.

Always keep an eye on the machine when in use.

Never put your hands near the moving parts of the machine.

Never let children use professional machines without supervision.



Always pull the power plug out of the socket when the machine is not being used.

- **ATTENTION!** As long as the power plug is in the socket the machine is connected to the power source.
- Keep all packaging away from children. Dispose of packaging in accordance to the regulations of local authorities.
- Turn off the machine before pulling the power plug out of the socket.
- Never try to move or carry the machine by the power cord.
- Do not use any extra devices that are not supplied along with the machine.
- Avoid overloading the machine.
- Do not place the machine on its side, upside-down or tilt the appliance more than 45° from the vertical. Also while the appliance is being transported.
- The electrical installation must satisfy the applicable national and local regulations.

Features

Certifications: All Maxima machines are CE certified.

Motors: All Maxima machine motors are designed specifically for heavy duty mixing applications.

Transmission: All Maxima gears and shafts are made of quality steel which is precision machined. The gears are packed in long lasting grease lubricant ensuring extremely quiet operation and a long life

Controls: All Maxima mixers have a separate start and stop button so that operators can easily stop the machine in an emergency situation. The speed can be adjusted by using the speed button or handle.

Safety Features

The machine is fitted with the following safety features, designed to protect the user and the machine against injury or damage:

Safety Guard: The safety guard must be closed completely in order to activate the mixer. If the safety guard is not closed properly the mixer will not start. If the safety guard is opened during use the mixer will switch off automatically.

Overheat Protection: The motor is fitted with a safety switch which will automatically switch off the machine if the temperature exceeds maximum operating limits. If this happens then the machine should be left off for a minimum of 60 minutes in order to allow the motor to cool down. After the cool down period the user can restart the machine.

Overload Protection: The machine is fitted with an overload protection switch which will activate if the load is too heavy.



First Time Use

- Unpack and inspect your machine immediately after receipt. If there are any latent defects or damage to the machine then immediately contact your dealer. Save all packaging materials in case the machine needs to be returned or for inspection by the freight carrier.
- Remove any protective film from all surfaces.
- Read this instruction manual completely before attempting to install and operate this product. All installations and set ups must be done by authorized service agents, your dealer, or Maxima representatives.
- If your machine is supplied with a factory fitted molded plug then you may plug the unit into a standard electrical outlet. Make sure that the voltage of the machine and the wall outlet are compatible. If your machine is not supplied with a factory fitted molded plug then a qualified electrical engineer must be contracted to wire the unit to the power supply.
- Before using your appliance for the first time it is recommended to clean the appliance according to instructions mentioned in chapter "*Cleaning and Maintenance*".

Installation

1. The machine must be positioned on a flat and stable surface.
2. Choose a surface where the machine is not exposed to direct sunlight, or close to a direct source of heat such as a cooker, oven or radiator.
3. When positioning the appliance, maintain a distance of 10cm (4 inches) between the appliance and walls or other objects for ventilation and ease of use.
4. Level the appliance using the adjustable feet and position the machine in such a way that the plug is accessible at all times. The appliance may operate less effectively if not level.
5. Plug the power plug into the main socket.

Operation

- Before switching on the mixer select the desired mixing speed using the speed handle or knob. Only use the lowest speed when mixing heavy dough.
- **ATTENTION!** Do not overload the machine. Never fill the machine more than mentioned in the table above. In case of heavy operation the maximum capacity may even be less. Consult your supplier in case of doubt.
- Once the speed has been selected, press the start button to activate the mixer. The safety guard must be closed for the mixer to operate. If the safety guard is open or not closed properly then the mixer will not function.
- **ATTENTION!** To change speeds, first stop the mixer. Once the mixer has come to a standstill, you can change the speed using the speed button or handle. After the desired speed has been selected press the start button to reactivate the mixer. Changing the speed during operation may cause damage to the motor and/or gearbox.
- If the appliance will not be used for a longer period, please remove the plug from the main socket. Clean the appliance according to instructions (see chapter "*Cleaning and Maintenance*").



Troubleshooting

The follow overview will help you understand possible problems. However, only qualified engineers should attempt to open or repair the machine. Contact your supplier when in doubt.

Problem	Possible Cause	Possible Solution
The appliance does not work.	<ul style="list-style-type: none"> ▪ The appliance is switched off. ▪ The power supply is interrupted. ▪ The voltage is not correct. ▪ Safety guard not closed properly. 	<ul style="list-style-type: none"> ➤ Switch on the appliance. ➤ Check the power supply, plug in power cable. ➤ Use another power source. ➤ Close safety guard.
The appliance has stopped working.	<ul style="list-style-type: none"> ▪ Motor overheated ▪ Overload. 	<ul style="list-style-type: none"> ➤ Let appliance cool down and reduce load (weight/time). ➤ Reduce load.
The appliance does not mix properly	<ul style="list-style-type: none"> ▪ Overload. ▪ Bowl or spiral damaged. ▪ Bowl mounted incorrectly. 	<ul style="list-style-type: none"> ➤ Reduce load. ➤ Replace part. ➤ Check bowl.
The appliance makes a lot of noise	<ul style="list-style-type: none"> ▪ Insufficient lubrication. ▪ Drive chain is loose. ▪ Bowl or Spiral damaged. ▪ Bowl mounted incorrectly. 	<ul style="list-style-type: none"> ➤ Lubricate required parts. ➤ Tighten drive chain. ➤ Replace part. ➤ Check bowl.

Cleaning and Maintenance

- Maintenance and repairs should only be done by certified engineers.
- Regularly check and clean the appliance, its parts and accessories (if applicable).
- Regularly check the power plug and power cable for damage. If either is damaged do not use the appliance. Instead, have it repaired by a certified electrical engineer.
- Always switch off and disconnect the power supply before cleaning or maintenance.
- Regularly check if the bowl connection, transmission and gearbox are sufficiently lubricated. If required apply new grease (remove the top cover to gain access to the transmission and gearbox). Doing so will prolong life expectancy and guarantee smooth operation.
- Regularly check the tension of the drive chain. If loose, tighten it.
- **ATTENTION!** Never use aggressive cleaning agents or abrasives. Do not use solvents or petrol based cleaning agents. Some cleaning agents may leave harmful residues or cause damage to the machine.
- Clean the machine using a damp cloth, warm water and a mild food safe detergent mixture. Always dry the appliance and accessories after cleaning using a soft cloth.
- **ATTENTION!** Do not use any scourer and sharp or pointed objects during cleaning, this may cause damage to the machine.
- **ATTENTION!** Never hose down the machine or immerse it in water or any other liquid, instead wipe the exterior with a damp cloth. Do not use a steamer to clean the appliance
- **ATTENTION!** Never let the power cable or power plug get wet or damp.



Storage

- Make sure the appliance is cleaned properly before storage.
- Coil up the power cord and put it away.
- Store in a cool and dry place.

Discarding

- When discarding the appliance, do so in compliance with the rules and regulations of local authorities.

Guarantee

Thank you for using our products, our company will follow related provisions from our "Algemene Voorwaarden", and provide you services when you can show us the invoice.

We provide 12-month warranty from the date of purchase (invoice date). In the warranty period, our company is responsible for free parts if there is a device fault or quality problem of spare parts under correct operation.

The following is not included in the free service:

1. Damages result from transportation, installation, improper connections.
2. Component damages caused by failing to provide power and voltage as required in technical data.
3. Damages caused by disassembling products, adjust or change the mechanical and electrical structures without permission.
4. Damage caused by improper operation, cleaning and maintenance.
5. Non-man-made damage, such as damages from abnormal voltage, fire, building collapse, lightning, floods and other natural disasters, and damages from rats and other pests.
6. Failure in following the manual when operating.
7. Wearable and expendable parts.
8. Altered invoice or without invoice.

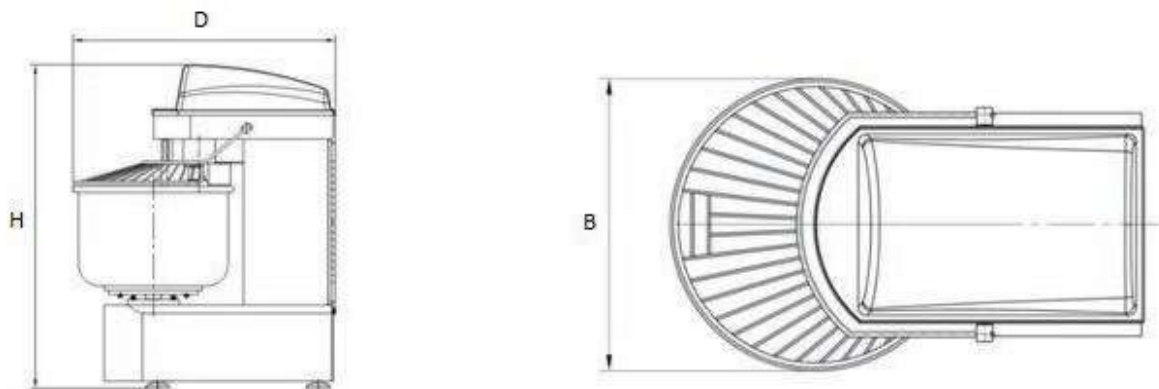
In line with our policy of continuous development, we reserve the right to alter the product, the packaging or the documentation without prior notice.



NEDERLANDS

Specificaties

MAXIMA SPIRAL MIXER									
PRODUCT CODE	MODEL	VOLTAGE (V)	VERMOGEN (W)	CAPACITEIT KETEL (L)	MAX. BELADING (KG)	MENG SNELHEID (RPM)	SNELHEID KETEL (RPM)	AFMETINGEN (MM)	GEWICHT (KG)
09361001	MSM8	230V / 50Hz 1 Phase	450	8	4,5	159	21	H385 × W302 × D495	36
09361002									
09361003									
09361011									
09361012									
09361013									
09361008									
09361010	MSM10	230V / 50Hz 1 Phase	650	10	6	160	15	H630 × W315 × D600	58
09361020	MSM20	230V / 50Hz 1 Phase	1100	20	12	115 / 187	11 / 18	H853 × W427 × D675	100
09361030	MSM30	230V / 50Hz 1 Phase	1500	30	18	115 / 187	11 / 18	H886 × W432 × D725	103
09361050	MSM50	400V / 50Hz 3 Phase	1500 / 2400	50	30	110 / 220	11 / 22	H1040 × W532 × D800	137
09361060	MSM60	400V / 50Hz 3 Phase	1500 / 2400	60	37,5	120 / 240	12 / 24	H1142 × W536 × D881	184
09361080	MSM75	400V / 50Hz 3 Phase	1500 / 2400	75	45	108 / 216	11 / 22	H1142 × W580 × D920	204
09361100	MSM100	400V / 50Hz 3 Phase	2200 / 4500	100	60	126 / 252	17	H1315 × W650 × D1080	400
09361130	MSM130	400V / 50Hz 3 Phase	2200 / 4500	130	75	126 / 252	17	H1364 × W682 × D1112	405
09361150	MSM200	400V / 50Hz 3 Phase	4000 / 9000	200	112,5	112 / 225	16	H1405 × W905 × D1410	720



Veiligheidsvoorschriften

Het apparaat mag alleen worden gebruikt voor het doel waarvoor het werd ontworpen. De fabrikant aanvaardt geen enkele aansprakelijkheid voor schade als gevolg van onjuiste bediening en verkeerd gebruik.

Dit apparaat is uitsluitend bedoeld voor het: **Mixen of kneden van deeg en andere voedingsmiddelen.**

- Zorg dat het apparaat en de stekker niet met water of een andere vloeistof in aanraking komen. Mocht het apparaat onverhoopt in het water vallen, trek dan onmiddellijk de stekker uit het stopcontact en laat het apparaat controleren door een erkend vakman. Het niet navolgen van dit advies kan levensgevaar opleveren.
- Dit apparaat is enkel bedoeld voor gebruik binnenshuis.
- Verplaats het apparaat niet terwijl deze in gebruik is.
- Dek het apparaat nooit af en plaats er nooit voorwerpen op terwijl deze in bedrijf is.
- Probeer nooit zelf de behuizing van het apparaat te openen.
- Steek geen voorwerpen in de behuizing van het apparaat.
- Raak de stekker niet met natte of vochtige handen aan.
- Controleer stekker en snoer regelmatig op eventuele beschadiging. Indien de stekker of snoer beschadigd is, laat de reparatie bij een erkend bedrijf uitvoeren.
- Gebruik het apparaat niet nadat het is gevallen of op andere wijze beschadigd is. Laat het bij een erkend reparatiebedrijf controleren en zo nodig repareren.
- **WAARSCHUWING!** Probeer het apparaat niet zelf te repareren. Dit kan levensgevaar opleveren.
- Zorg dat het snoer niet met scherpe of hete voorwerpen in aanraking komt en houdt het uit de buurt van open vuur. Als u de stekker uit het stopcontact wilt trekken, pak dan altijd de stekker zelf beet en trek nooit aan het snoer.
- Zorg dat niemand het snoer (of verlengsnoer) abusievelijk kan lostrekken of erover kan struikelen.
- Houdt het apparaat tijdens gebruik steeds in de gaten.



- Laat kinderen nooit zonder toezicht in de buurt van het apparaat spelen of het apparaat zonder toezicht gebruiken.
- Trek altijd de stekker uit het stopcontact als het apparaat niet wordt gebruikt en voordat het wordt schoongemaakt.
- **LET OP!** Zolang de stekker in het stopcontact zit staat het apparaat onder netspanning.
- Houd al het verpakkingsmateriaal uit de buurt van kinderen en behandel het afval volgens lokale wet- en regelgeving.
- Schakel het apparaat uit voordat u de stekker uit het stopcontact trekt.
- Draag of verplaats het apparaat nooit aan het snoer.
- Gebruik geen accessoires in samenwerking met het apparaat die niet zijn meegeleverd of er niet bij horen.
- Voorkom overbelasting.
- Plaats het apparaat niet op zijn kant of ondersteboven. Het apparaat dient niet meer dan 45° te kantelen. Dit geldt ook voor tijdens transport.
- De elektrische aansluitingen moeten voldoen aan de hiervoor bestemde richtlijnen.

Kenmerken

Certificering: Alle Maxima machines zijn CE gecertificeerd.

Motor: Alle Maxima motoren zijn ontworpen voor professioneel gebruik.

Transmissie: Alle Maxima tandwielen, assen en lagers zijn van hoge kwaliteit en duurzaamheid. De transmissie en de overbrenging zijn gesmeerd met speciaal vet om stil gebruik en een lange levensduur te kunnen garanderen.

Besturing: Alle Maxima mixers hebben een aparte start- en stopknop. Hierdoor kan de gebruiker de machine gemakkelijk uitschakelen in een noodsituatie. Daarnaast beschikt de machine over twee snelheden, dit kan worden aangepast met een hendel of knop.

Veiligheidskenmerken

De machine is voorzien van de onderstaande veiligheidskenmerken om de gebruiker en de machine te beschermen tegen ongelukken of schade.

Veiligheidskooi: De veiligheidskooi dient volledig gesloten te zijn om de mixer te kunnen starten. Wanneer deze niet juist is gesloten zal de mixer niet starten. Als de veiligheidskooi tijdens gebruik wordt geopend zal de machine automatisch uitschakelen.

Bescherming Oververhitting: De motor is voorzien van een veiligheidsschakelaar, welke de machine zal uitschakelen als de temperatuur het toegestane maximum overschrijdt. Als dit gebeurt, dient de machine minimaal 60 minuten af te koelen. Nadat de machine is afgekoeld kan u de machine herstarten.

Bescherming Overbelasting: De machine is voorzien van een bescherming tegen overbelasting. Deze schakelaar zal omslaan als de productiecapaciteit van de machine wordt overschreden. Als dit gebeurt, dient men de kuip minder af te vullen.



Vorbereitung voor eerste ingebruikname

- Controleer of het apparaat niet beschadigd is. Neem in geval van beschadiging onmiddellijk contact op met uw leverancier en gebruik het apparaat NIET. Bewaar al het verpakkingsmateriaal indien de machine geïnspecteerd of retour gestuurd moet worden.
- Verwijder alle beschermende folies van het apparaat.
- Lees aandachtig deze gebruikshandleiding voordat u de machine in gebruik neemt. Het installeren van de machine dient door een gediplomeerd vakman, uw dealer of een Maxima vertegenwoordiger gedaan te worden.
- Als uw machine met een standaard stekker geleverd wordt kan u deze in het stopcontact plaatsen. Controleer alvorens of het voltage gelijkwaardig is. Als uw machine enkel met snoer en zonder stekker geleverd wordt dient u dit door een gediplomeerd vakman te laten monteren.
- Alvorens ingebruikname wordt geadviseerd het apparaat te reinigen volgens de instructies genoemd in het hoofdstuk "*Reiniging & Onderhoud*".

Installatie

1. Plaats het apparaat "waterpas" op een vlakke en stabiele ondergrond. Het apparaat functioneert minder efficiënt als deze niet waterpas staat. Verstel eventueel de poten om dit te realiseren
2. Kies een plek uit die niet in direct zonlicht staat of dichtbij een warmtebron zoals bijvoorbeeld een kookstel, oven of radiator.
3. Zorg voor genoeg ruimte (10cm) om het apparaat heen, voor gemakkelijke toegang, reiniging en ventilatie.
4. Plaats het apparaat zodanig dat de stekker te allen tijde bereikbaar is.
5. Steek de stekker in het stopcontact.



Bediening

- Selecteer de gewenste snelheid alvorens u de mixer activeert. Gebruik alleen de laagste snelheid wanneer u zwaar deeg gaat verwerken.
- **LET OP!** Overbelast de machine nooit. Vul de machine niet meer dan aangegeven in de bovenstaande tabel. In sommige gevallen kan dit zelfs minder zijn. Consulteer uw leverancier in geval van twijfel.
- Druk, na het selecteren van de snelheid, op de startknop om de machine te activeren. De veiligheidskooi dient gesloten te zijn. Wanneer deze niet goed gesloten is zal de machine niet functioneren.
- **LET OP!** Wanneer u de snelheid wenst te veranderen dient de machine eerst gestopt te worden. Als de machine tot stilstand is gekomen, kan u de snelheid veranderen door middel van de knop of hendel. Druk na het selecteren van de gewenste snelheid weer op de startknop om de machine te activeren. Wanneer u de snelheid veranderd tijdens gebruik loopt u het risico de transmissie en/of motor te beschadigen.
- Wanneer u het apparaat gedurende langere tijd niet gebruikt, trek dan de stekker uit het stopcontact. Reinig het apparaat en maak het apparaat en de accessoires goed droog.

Mogelijke Storingen

Het volgende overzicht geeft u beter inzicht in mogelijke storingen. Echter, het apparaat dient alleen open gemaakt of gerepareerd te worden door een gediplomeerd vakman. Neem bij twijfel contact op met uw leverancier.

Probleem	Mogelijke Oorzaak	Mogelijke Oplossing
Het apparaat werkt niet.	<ul style="list-style-type: none">▪ The apparaat staat uitgeschakeld.▪ De stroomtoevoer is onderbroken.▪ Het voltage is onjuist.▪ De veiligheidskooi is niet goed gesloten.	<ul style="list-style-type: none">➤ Zet het apparaat aan.➤ Controleer of the stekker in het stopcontact zit➤ Gebruik een ander stroomvoorziening.➤ Sluit de veiligheidskooi.
Het apparaat is gestopt met werken.	<ul style="list-style-type: none">▪ Motor oververhit.▪ Machine overbelast	<ul style="list-style-type: none">➤ Laat het apparaat afkoelen en verminder de belasting (gewicht/tijd).➤ Verminder de belasting.
Het apparaat mixt niet goed.	<ul style="list-style-type: none">▪ Ketel te vol.▪ Ketel of spiraal beschadigd▪ Ketel onjuist bevestigd.	<ul style="list-style-type: none">➤ Verminder belasting.➤ Vervang onderdeel.➤ Controleer ketel
Het apparaat maakt veel lawaai	<ul style="list-style-type: none">▪ Onvoldoende smeersel.▪ Aandrijfketting los.▪ Ketel of spiraal beschadigd▪ Ketel onjuist bevestigd.	<ul style="list-style-type: none">➤ Ververs smeersel.➤ Span aandrijfketting opnieuw aan.➤ Vervang onderdeel.➤ Controleer ketel



Reiniging en Onderhoud

- Onderhoud en reparaties dienen alleen uitgevoerd te worden door een gediplomeerd vakman.
- Controleer en reinig het apparaat, de kabels/slangen en accessoires regelmatig (indien van toepassing).
- Controleer regelmatig de stekker en voedingskabel op beschadigingen. Wanneer één hiervan beschadigd is, is het niet toegestaan het apparaat te gebruiken. De kabel en/of stekker dient door een gediplomeerd vakman gerepareerd te worden.
- Voordat u het apparaat gaat reinigen, dan wel ter reparatie stelt, altijd eerst het apparaat uitschakelen en de stekker uit het stopcontact halen.
- Controleer regelmatig of de ketelhouder, geleiders, transmissie en tandwielen voldoende gesmeerd zijn. Ververs indien nodig het smeersel (verwijder de bovenkap om toegang tot de transmissie en tandwielen te krijgen). Dit zal de levensduur verlengen en het soepel functioneren van de machine waarborgen.
- Controleer regelmatig de spanning van de aandrijfketting / -riem. Span deze opnieuw aan wanneer los.
- **LET OP!** Gebruik nooit agressieve of bijtende reinigingsmiddelen. Gebruik ook geen oplosmiddel of benzine houdende middelen. Deze reinigingsmiddelen kunnen het apparaat beschadigen of schadelijke residu's achterlaten.
- Reinig de machine met een vochtige doek, warm water en een mild reinigingsmiddel dat geschikt is voor gebruik in de voedselindustrie. Droog het apparaat altijd na het reinigen, gebruik hiervoor een zachte doek.
- **LET OP!** Gebruik geen schuurspons of scherpe objecten tijdens het reinigen. Deze kunnen het apparaat beschadigen.
- **LET OP!** Dompel het apparaat nooit in water. Gebruik ook geen hogedrukspuit of directe waterstraal om het apparaat te reinigen. Gebruik ook geen stoomapparaat om de machine te reinigen.
- **LET OP!** Laat de stekker of de voedingskabel niet nat of vochtig worden.

Opslag

- Zorg ervoor dat het apparaat op de juiste manier is schoongemaakt voordat u het opslaat.
- Rol het snoer op en stop deze netjes weg.
- Bewaar het apparaat op een droge en koele plaats.

Afdanken

- Volg aan het einde van de levensduur van uw apparaat, de geldende locale wet- en regelgeving wanneer u het apparaat afdankt.



Garantie

Hartelijk bedankt dat u onze producten gebruikt. Ons bedrijf hanteert bepalingen zoals beschreven in onze "Algemene Voorwaarden", en geven u ondersteuning wanneer u een factuur kunt overleggen.

Wij verlenen 12 maanden garantie na aankoopdatum. In de garantieperiode is ons bedrijf verantwoordelijk voor onderdelen onder garantie in geval van materiaalfouten, fabricagefouten of kwaliteitsproblemen. Alleen bij correct gebruik en originele onderdelen.

De volgende zaken vallen niet onder de garantie:

1. Schade als gevolg van transport, installatie of verkeerde aansluitingen.
2. Component schade veroorzaakt door verkeerde elektrische- of water aansluiting.
3. Schade als gevolg van demontage of aanpassingen aan de originele machine, zonder toestemming.
4. Schade als gevolg van verkeerd gebruik, slechte reiniging of ondeskundig onderhoud.
5. Schade als gevolg van brand, instorting, blikseminslag, wateroverlast, spanningspieken, ongedierte en andere vergelijkbare gebeurtenissen.
6. Het niet lezen of volgen van de gebruikershandleiding.
7. Verbruiksonderdelen en aan slijtage onderhevige onderdelen.
8. Aangepaste factuur of geen factuur.

Ten behoeve van productontwikkeling en -verbetering behouden wij het recht om; het product, de verpakking of documentatie te wijzigen zonder dit vooraf bekend te maken.